



Network

Bullet

QNO-7082R

4MP IR Bullet Camera



Key Features

- Max. 4MP resolution, Up to 30fps
- Color : 0.1Lux (F1.6, 1/30sec), B/W : 0Lux (IR LED On)
- 3.2 ~ 10mm (3.1x) motorized varifocal
- IR viewable length: 30m (98.42ft)
- Day & Night (ICR), WDR (120dB)
- H.265, H.264, MJPEG, Multiple streaming supported
- Motion detection, Tampering, Defocus detection
- Hallway view (90°/270°), LDC support
- Micro SD/SDHC/SDXC memory slot (Max. 128GB)
- IP66, IK10

Compatible Accessories (Optional)



SBO-100B1



SBP-302PM

QNO-7082R

4MP IR Bullet Camera



Specifications

Video

| | |
|-------------------|---|
| Imaging Device | 1/3" CMOS |
| Resolution | 2560x1440, 1920x1080, 1280x960, 1280x720, 800x600, 800x448, 720x576, 720x480, 640x480, 640x360, 320x240 |
| Max. Framerate | H.265/H.264 : Max. 30fps at 4M all resolutions, MJPEG : Max. 15fps |
| Min. Illumination | Color : 0.1Lux (F1.6, 1/30sec) B/W : 0Lux (IR LED On) |
| Video Out | CVBS : 1.0 Vpp/75Ω composite, 720x480(N), 720x576(P) for installation |

Lens

| | |
|---------------------------|--|
| Focal Length (Zoom Ratio) | 3.2~10mm (3.1x) motorized varifocal |
| Max. Aperture Ratio | F1.6(Wide) ~ F2.9(Tele) |
| Angular Field of View | H : 98.6(Wide) ~ 30.8(Tele), V : 52.3(Wide) ~ 17.3(Tele), D : 115.7(Wide) ~ 35.3(Tele) |
| Focus Control | Simple focus |
| Lens Type | DC auto iris |

Operational

| | |
|--------------------------|---|
| Camera Title | Displayed up to 85 characters |
| Day & Night | Auto(ICR) |
| Backlight Compensation | BLC, WDR, SDDR |
| Wide Dynamic Range | 120dB |
| Digital Noise Reduction | SSNR |
| Motion Detection | 4ea, polygonal zones |
| Privacy Masking | 6ea, rectangular zones |
| Gain Control | Low / Middle / High |
| White Balance | ATW / AWC / Manual / Indoor / Outdoor |
| LDC | Support |
| Electronic Shutter Speed | Minimum/Maximum/Anti flicker (1/5~1/12,000sec) |
| Video Rotation | Flip, Mirror, Hallway view(90°/270°) |
| Analytics | Defocus detection, Directional detection, Motion detection, Enter/Exit, Tampering, Virtual line |
| Alarm I/O | Input 1ea / Output 1ea |
| Alarm Triggers | Analytics, Network disconnect, Alarm input |
| Alarm Events | File upload via FTP and e-mail, Notification via e-mail, SD/SDHC/SDXC or NAS recording at event triggers, Alarm output, Handover |
| Audio In | Line in |
| IR Viewable Length | 30m(98.42ft) |

Network

| | |
|-------------------|--|
| Ethernet | RJ-45 (10/100BASE-T) |
| Video Compression | H.265/H.264 : Main/High, MJPEG |
| Audio Compression | G.711 u-law / G.726 Selectable G.726(ADPCM) 8KHz, G.711 8KHz, G.726 16Kbps, 24Kbps, 32Kbps, 40Kbps |

| | |
|--|---|
| Smart Codec | Manual (Sea area), WiseStream II |
| Bitrate Control | H.264/H.265 : CBR or VBR MJPEG : VBR |
| Streaming | Unicast (6 users) / Multicast Multiple streaming (Up to 3 profiles) |
| Protocol | IPv4, IPv6, TCP/IP, UDP/IP, RTP(UDP), RTP(TCP), RTCP, RTSP, NTP, HTTP, HTTPS, SSL/TLS, DHCP, PPPoE, FTP, SMTP, ICMP, IGMP, SNMPv1/v2c/v3(MIB-2), ARP, DNS, DDNS, QoS, PIM-SM, UPnP, Bonjour, LLDP |
| Security | HTTPS(SSL) Login Authentication Digest Login Authentication IP Address Filtering User access Log 802.1X Authentication |
| Application Programming Interface | ONVIF Profile S/G/T, SUNAPI (HTTP API) |

General

| | |
|-------------------------|--|
| Webpage Language | English, Korean, Chinese, French, Italian, Spanish, German, Japanese, Russian, Portuguese, Czech, Polish, Turkish, Dutch, Hungarian, Greek |
| Edge Storage | Micro SD/SDHC/SDXC 1slot 128GB |
| Memory | 512MB RAM, 256MB Flash |

Environmental & Electrical

| | |
|---|--|
| Operating Temperature / Humidity | -40°C~+55°C (-40°F~+131°F) / Less than 95% RH * Start up should be done at -30°C or above |
| Storage Temperature / Humidity | -40°C~+60°C (-40°F~+140°F) / Less than 95% RH |
| Certification | IP66, IK10 |
| Input Voltage | PoE(IEEE802.3af, Class3), 12VDC |
| Power Consumption | PoE: Max 11.4W, typical 8W 12VDC: Max 9.6W, typical 7W |

Mechanical

| | |
|--|--|
| Color / Material | Dark grey / Aluminum |
| Product Dimensions / Weight | Ø78.0 x 259.8mm (Ø3.07 x 10.23"), 900g (1.984 lb) |
| Compatible Conduit hole / Gangbox | 3/4"(M25) Single, Double, 4"Octagon |
| Backbox | SBO-100B1, SBO-147B |

DORI (EN62676-4 standard)

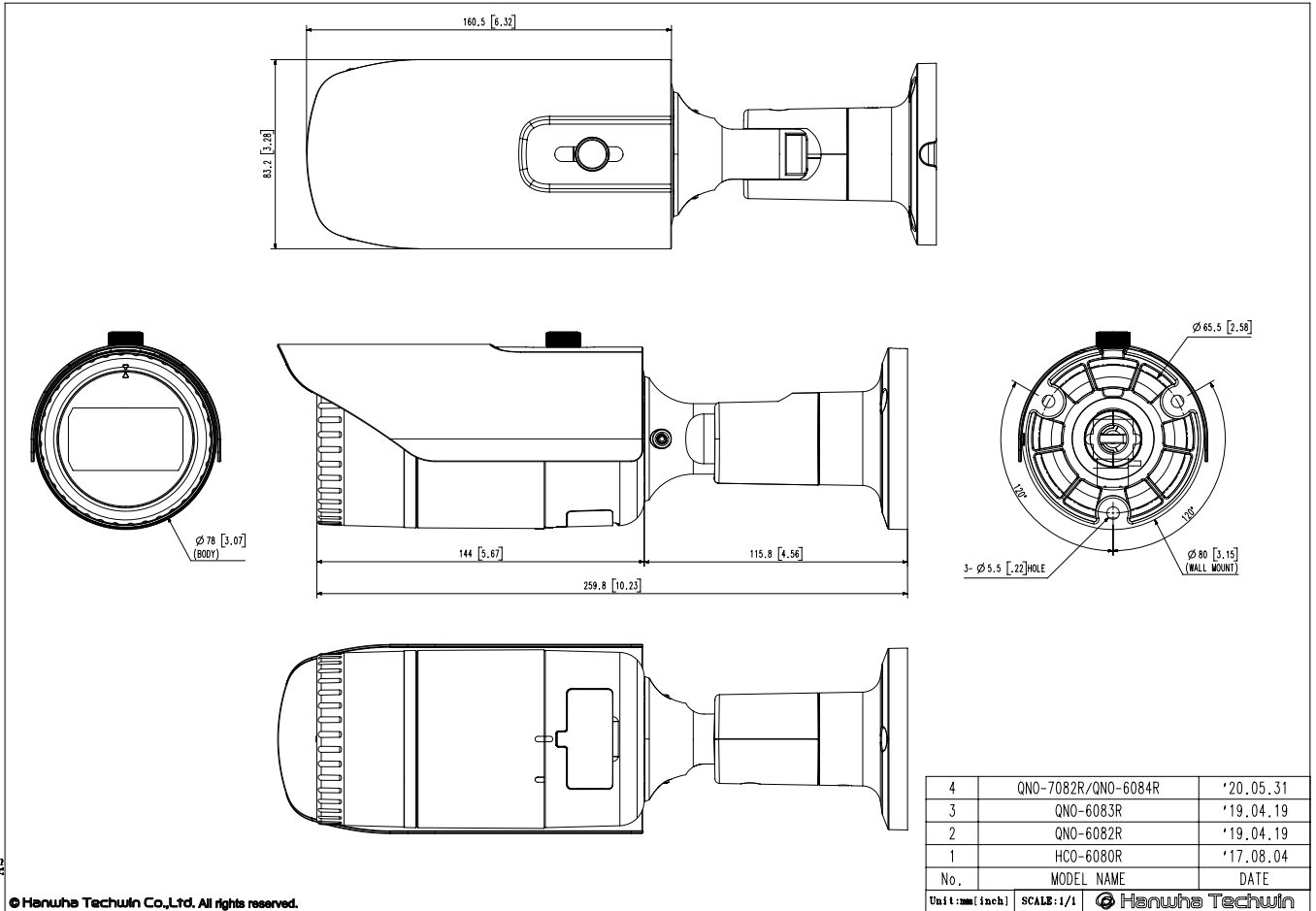
| | |
|----------------------------------|---|
| Detect (25PPM/ 8PPF) | Wide: 27m(89.86ft) / Tele: 129m(422.61ft) |
| Observe (63PPM/ 19PPF) | Wide: 11m(35.95ft) / Tele: 52m(169.04ft) |
| Recognize (125PPM/ 38PPF) | Wide: 6m(17.97ft) / Tele: 26m(84.52ft) |
| Identify (250PPM/ 76PPF) | Wide: 3m(8.99ft) / Tele: 13m(42.26ft) |

QNO-7082R
4MP IR Bullet Camera



CAD

Unit: mm [inch]



A2

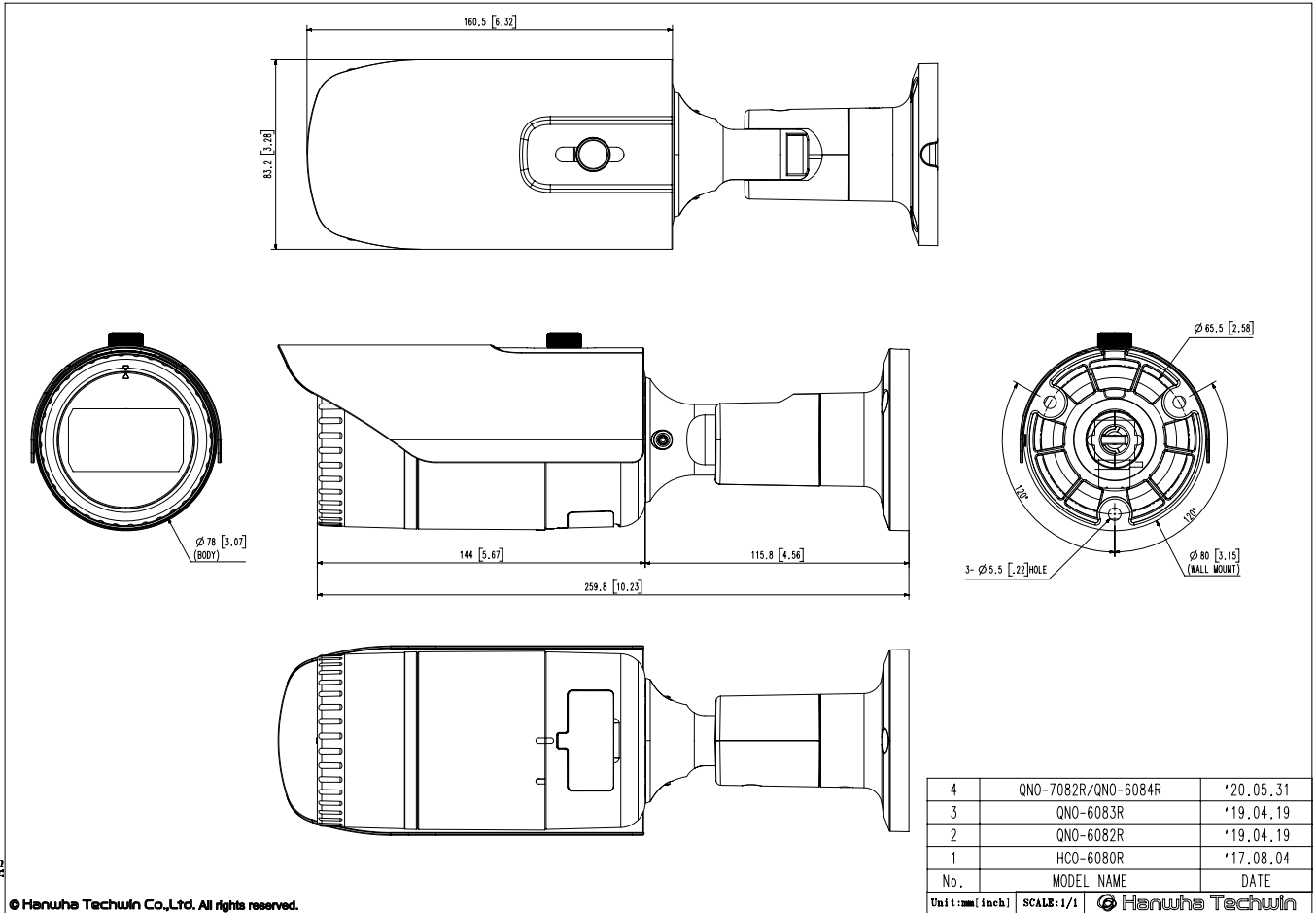
© Hanwha Techwin Co., Ltd. All rights reserved.

QNO-7082R
4MP IR Bullet Camera



CAD

Unit: mm [inch]



A2

© Hanwha Techwin Co., Ltd. All rights reserved.